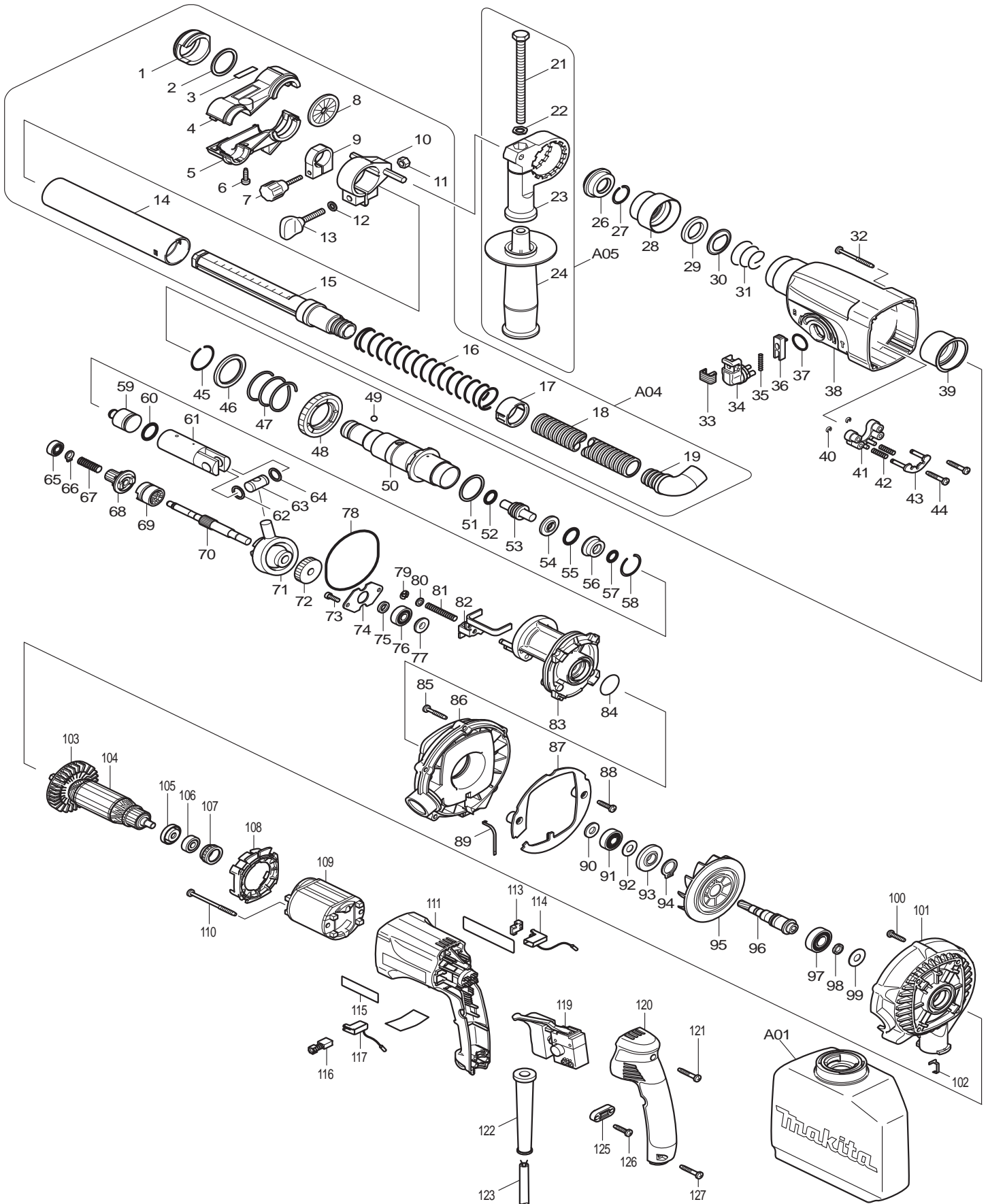




01-2010
HR2432
1" SDS-P DUSTLESS ROTARY HAMMER



| Item No | Type | Ref | Part No | Description | Qty | Unit |
|---------|------|------|----------|----------------------------|-----|------|
| 1 | | | 421396-0 | FITTING RUBBER | 1 | PC. |
| 2 | | | 267091-6 | FLAT WASHER 28 | 1 | PC. |
| 3 | | | 819071-4 | MAKITA LABEL | 1 | PC. |
| 4 | | | 414799-5 | COLLECTOR 25R | 1 | PC. |
| 5 | | | 414800-6 | COLLECTOR 25L | 1 | PC. |
| 6 | | | 265926-5 | TAPPING SCREW 4X16 | 1 | PC. |
| 7 | | | 265706-9 | THUMB SCREW M4X24 | 1 | PC. |
| 8 | | | 421384-7 | SEALING CAP 40 | 1 | PC. |
| 9 | | | 414795-3 | STOPPER RING | 1 | PC. |
| 10 | | | 417156-6 | PIPE HOLDER | 1 | PC. |
| 11 | | | 931302-2 | HEX. NUT M6 | 1 | PC. |
| 12 | | | 941151-9 | FLAT WASHER 6 | 1 | PC. |
| 13 | | | 265705-1 | THUMB SCREW M6X30 | 1 | PC. |
| 14 | | | 414797-9 | SUPPORT PIPE | 1 | PC. |
| 15 | | | 414796-1 | SLIDE PIPE | 1 | PC. |
| 16 | | | 233015-4 | COMPRESSION SPRING 25 | 1 | PC. |
| 17 | | | 414794-5 | SPRING STOPPER | 1 | PC. |
| 18 | | | 414898-3 | HOSE 19 | 1 | PC. |
| 19 | | | 417153-2 | CUFFS 19-22 | 1 | PC. |
| 21 | | | 921923-8 | HEX. BOLT M8X120 | 1 | PC. |
| 22 | | | 345280-4 | HEX. WASHER | 1 | PC. |
| 23 | | | 417630-4 | GRIP BASE | 1 | PC. |
| 24 | 1 | | 152521-9 | GRIP 36 COMPLETE | 1 | PC. |
| | 2 | | 153503-4 | GRIP 36 COMPLETE | 1 | PC. |
| 26 | | | 286263-4 | CAP 35 | 1 | PC. |
| 27 | 2 | | 233940-9 | * RING SPRING 19 | 1 | PC. |
| 28 | | | 417629-9 | CHUCK COVER | 1 | PC. |
| 29 | | | 257241-1 | RING 21 | 1 | PC. |
| 30 | | | 345187-4 | GUIDE WASHER | 1 | PC. |
| 31 | | | 233916-6 | CONICAL COMP. SPRING 21-29 | 1 | PC. |
| 32 | | | 266069-6 | TAPPING SCREW 4X45 | 4 | PC. |
| 33 | | | 417794-4 | CAP | 1 | PC. |
| 34 | | | 162229-7 | CHANGE LEVER COMPLETE | 1 | PC. |
| 35 | | | 233341-1 | COMPRESSION SPRING 3 | 1 | PC. |
| 36 | | | 417795-2 | LOCK BUTTON | 1 | PC. |
| 37 | | | 213278-8 | O RING 17 | 1 | PC. |
| 38 | | | 183441-6 | GEAR HOUSING SET | 1 | PC. |
| | | INC. | | Item No. 39 | | |
| 39 | | | 153290-5 | NEEDLE BEARING COMPLETE | 1 | PC. |
| 40 | | | 961017-7 | STOP RING E-3 | 2 | PC. |
| 41 | | | 417796-0 | GUIDE BASE | 1 | PC. |
| 42 | | | 233344-5 | COMPRESSION SPRING 4 | 2 | PC. |
| 43 | | | 163430-7 | LOCK PLATE COMPLETE | 1 | PC. |
| 44 | | | 265999-8 | TAPPING SCREW 4X25 | 2 | PC. |
| 45 | | | 233918-2 | RING SPRING 28 | 1 | PC. |
| 46 | | | 267228-5 | WASHER 30 | 1 | PC. |
| 47 | | | 233328-3 | COMPRESSION SPRING 31 | 1 | PC. |
| 48 | | | 227028-5 | SPUR GEAR 51 | 1 | PC. |
| 49 | | | 216022-2 | STEEL BALL 7.0 | 1 | PC. |
| 50 | | | 153365-0 | TOOL HOLDER COMPLETE | 1 | PC. |
| 51 | | | 267229-3 | FLAT WASHER 28 | 1 | PC. |
| 52 | | | 213128-7 | O RING 12 | 1 | PC. |
| 53 | | | 324396-8 | IMPACT BOLT | 1 | PC. |
| 54 | | | 324218-2 | RING 9 | 1 | PC. |
| 55 | | | 213232-2 | O RING 15 | 1 | PC. |
| 56 | | | 324216-6 | O RING CASE | 1 | PC. |
| 57 | | | 213073-6 | O RING 9 | 1 | PC. |

| Item No | Type | Ref | Part No | Description | Qty | Unit |
|---------|------|------|----------|-----------------------------|-----|------|
| 58 | | | 233917-4 | RING SPRING 28 | 1 | PC. |
| 59 | | | 324214-0 | STRIKER | 1 | PC. |
| 60 | | | 213227-5 | O RING 16 | 1 | PC. |
| 61 | | | 331632-5 | PISTON CYLINDER | 1 | PC. |
| 62 | | | 267104-3 | FLAT WASHER 12 | 1 | PC. |
| 63 | | | 324215-8 | PISTON JOINT | 1 | PC. |
| 64 | | | 267104-3 | FLAT WASHER 12 | 1 | PC. |
| 65 | | | 211012-0 | BALL BEARING 606ZZ | 1 | PC. |
| 66 | | | 961003-8 | RETAINING RING S-7 | 1 | PC. |
| 67 | | | 233343-7 | COMPRESSION SPRING 7 | 1 | PC. |
| 68 | | | 226399-7 | SPUR GEAR 10 | 1 | PC. |
| 69 | 2 | | 331993-3 | CLUTCH CAM (OLD# 331634-1) | 1 | PC. |
| 70 | | | 324248-3 | CAM SHAFT | 1 | PC. |
| 71 | | | 219014-0 | SWASH BEARING 10 | 1 | PC. |
| 72 | | | 226550-9 | HELICAL GEAR 26 | 1 | PC. |
| 73 | | | 266273-7 | HEX. SOCKET HEAD BOLT M4X12 | 2 | PC. |
| 74 | | | 345179-3 | BEARING RETAINER | 1 | PC. |
| 75 | | | 267234-0 | FLAT WASHER 8 | 1 | PC. |
| 76 | | | 211032-4 | BALL BEARING 608ZZ | 1 | PC. |
| 77 | | | 324212-4 | RING 8 | 1 | PC. |
| 78 | | | 213725-9 | O RING 68 | 1 | PC. |
| 79 | | | 961011-9 | STOP RING E-4 | 1 | PC. |
| 80 | | | 941102-2 | FLAT WASHER 5 | 1 | PC. |
| 81 | | | 233342-9 | COMPRESSION SPRING 6 | 1 | PC. |
| 82 | | | 345363-0 | CHANGE PLATE | 1 | PC. |
| 83 | | | 153687-8 | INNER HOUSING COMPLETE | 1 | PC. |
| 84 | | | 213380-7 | O RING 24 | 1 | PC. |
| 85 | | | 265999-8 | TAPPING SCREW 4X25 | 5 | PC. |
| 86 | | | 418807-4 | FAN HOUSING A | 1 | PC. |
| 87 | | | 418809-0 | DUST COVER PLATE | 1 | PC. |
| 88 | | | 265995-6 | TAPPING SCREW 4X18 | 2 | PC. |
| 89 | | | 345483-0 | EARTH PLATE A | 1 | PC. |
| 90 | | | 267271-4 | FLAT WASHER 9 | 1 | PC. |
| 91 | | | 210060-6 | BALL BEARING 609LLU | 1 | PC. |
| 92 | | | 267231-6 | FLAT WASHER 9 | 1 | PC. |
| 93 | | | 324500-9 | DUST GUARD | 1 | PC. |
| 94 | | | 961055-9 | RETAINING RING S-15 | 1 | PC. |
| 95 | | | 241668-5 | FAN 81 | 1 | PC. |
| 96 | 2 | | 226619-9 | * HELICAL GEAR 5 | 1 | PC. |
| 97 | | | 211131-2 | BALL BEARING 6001DDW | 1 | PC. |
| 98 | | | 262115-3 | URETHANE RING 8 | 1 | PC. |
| 99 | 2 | | 253733-8 | * FLAT WASHER 9 (19.0MM) | 1 | PC. |
| 100 | | | 265995-6 | TAPPING SCREW 4X18 | 4 | PC. |
| 101 | | | 418808-2 | FAN HOUSING B | 1 | PC. |
| 102 | | | 345484-8 | EARTH PLATE B | 1 | PC. |
| 103 | 2 | | 240084-8 | * FAN 60 | 1 | PC. |
| 104 | 3 | | 515671-5 | * ARMATURE ASSY 115V | 1 | PC. |
| | | INC. | | Item No. 103,105,106 | | |
| 105 | | | 681636-0 | INSULATION WASHER | 1 | PC. |
| 106 | | | 211021-9 | BALL BEARING 607LLB | 1 | PC. |
| 107 | | | 421494-0 | RUBBER RING 19 | 1 | PC. |
| 108 | 2 | | 419201-3 | * BAFFLE PLATE | 1 | PC. |
| 109 | | | 633491-6 | FIELD 115V | 1 | PC. |
| 110 | | | 266052-3 | TAPPING SCREW 4X60 | 2 | PC. |
| 111 | 1 | | 183409-2 | MOTOR HOUSING - N/L/A | 1 | PC. |
| | | INC. | | Item No. 115 | | |
| | 2 | | 417632-0 | MOTOR HOUSING | 1 | PC. |

| Item No | Type | Ref | Part No | Description | Qty | Unit |
|---------|------|-----|----------|---|-----|------|
| 113 | | | 689111-0 | SPACER | 2 | PC. |
| 114 | | | 643988-7 | BRUSH HOLDER | 1 | PC. |
| 115 | | | 819063-3 | MAKITA LABEL (OLD) | 1 | PC. |
| 116 | 2 | | 195007-0 | CARBON BRUSH CB-407 2PC/SET, W/O ORIGIN | 1 | SET |
| 117 | | | 643989-5 | BRUSH HOLDER | 1 | PC. |
| 119 | | | 650508-0 | SWITCH TG813TLB-1 | 1 | PC. |
| 120 | | | 153284-0 | HANDLE COVER COMPLETE | 1 | PC. |
| 121 | | | 265999-8 | TAPPING SCREW 4X25 | 1 | PC. |
| 122 | | | 682559-5 | CORD GUARD 8 | 1 | PC. |
| 123 | | | 664895-1 | CORD W/PLUG 2P-18-4.0M, SJ | 1 | PC. |
| 125 | | | 687063-9 | CORD CLAMP | 1 | PC. |
| 126 | | | 265995-6 | TAPPING SCREW 4X18 | 2 | PC. |
| 127 | | | 265999-8 | TAPPING SCREW 4X25 | 2 | PC. |
| 129 | | | 257273-8 | * RING 8 (Added) | 1 | PC. |
| 200 | | | 654121-6 | TAB (NO PICTURE) | 1 | PC. |

ACCESSORIES

- See catalogue or visit www.makita.ca for optional accessory -

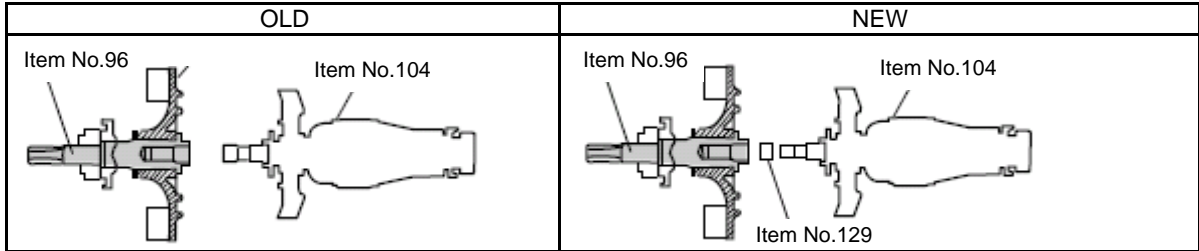
| | | | | | | |
|-----|---|------|----------|---|---|-----|
| A01 | | | 122708-7 | DUST BAG ASS'Y | 1 | PC. |
| | | INC. | 410602-8 | FASTENER | 1 | PC. |
| | | INC. | 417154-0 | FRAME CAP | 1 | PC. |
| | 2 | INC. | 419360-3 | HANDLE (OLD# 418889-6) | 1 | PC. |
| A02 | | | 824729-2 | PLASTIC CARRYING CASE | 1 | PC. |
| | | INC. | 163455-1 | LATCH | 2 | PC. |
| | | INC. | 819140-1 | MAKITA LOGO LABEL | 1 | PC. |
| A03 | | | 421727-3 | CAP | 1 | PC. |
| A04 | | | 122709-5 | DUST COLLECTOR ASSY | 1 | PC. |
| | | INC. | | Item No. 1-19 | | |
| A05 | 1 | | 134943-5 | GRIP 36 ASS'Y - N/L/A | 1 | PC. |
| | | INC. | | Item No. 21-24 | | |
| | 2 | | 135302-6 | GRIP 36 ASS'Y | 1 | PC. |
| | | INC. | | Item No. 21-24 | | |
| A06 | | | 193606-2 | HAMMER SERVICE KIT | 1 | PC. |
| | | INC. | 183477-5 | MAKITA GREASE RA No.1 30G | 1 | PC. |
| | | INC. | 195007-0 | CARBON BRUSH CB-407 2PC/SET (W/ ORIGIN) | 1 | PC. |
| | | INC. | 213073-6 | O RING 9 | 1 | PC. |
| | | INC. | 213128-7 | O RING 12 | 1 | PC. |
| | | INC. | 213227-5 | O RING 16 | 1 | PC. |
| | | INC. | 213232-2 | O RING 15 | 1 | PC. |
| | | INC. | 233917-4 | RING SPRING 28 | 1 | PC. |
| | | INC. | 286263-4 | CAP 35 | 1 | PC. |

SERVICE CHANGES

1. Changes on Armature Assy, Helical Gear 5, Ring Spring, Baffle Plate, etc.

| Item No. | Description | Type 1 | Type 2 | Type 3 |
|----------|----------------|------------------|----------------|----------|
| 96 | Helical Gear 5 | 226596-5 | | 226619-9 |
| 129 | Ring 8 | ----- | | 257273-8 |
| 104 | Armature Assy | 515621-0 (N/L/A) | 515651-1 (N/L) | 515671-5 |
| 27 | Ring Spring 19 | | 233915-8 | 233940-9 |
| 103 | Fan 60 | | 240047-4 | 240084-8 |
| 108 | Baffle Plate | | 417631-2 | 419201-3 |

Item No. 96, 129 and 104 are completely interchangeable as a set.



| Item No. | OLD | NEW |
|---|-----|-----|
| Item No. 27 Ring Spring 19: Notch of the ring spring 19 should be at opposite side of Steel ball 7 | | |
| Item No. 108 Baffle plate: | | |
| Item No. 104 Armature Assy: Distinguish the new Armature assy from the new by checking the Fan (component of Armature assy) | | |

2. Changes on Flash Washer 9

| Item No. | Description | Type 1 | Type 2 |
|----------|---------------|----------|----------|
| 99 | Flat Washer 9 | 253741-9 | 253733-8 |
| | | | |